



50MM PITCH WEATHER LOUVRE

50MM PITCH WEATHER LOUVRE

Product Overview

- Supply and extract weather louvre
- Available in sizes from 100mm to 2000mm
- Bird screen fitted as standard
- Good protection against water ingress
- Optional polyester powder coat finish

External weather louvres are ideal for intake or exhaust applications. Blades are mounted at 45 degrees at 50mm pitch in a perimeter frame and overlap to ensure good protection against water ingress. Bird screen is fitted to all louvres as standard.

Construction

Frames and blades are manufactured from 6063 T6 extruded aluminium. On sizes of up to 1 square metre, frame mitres are mechanically jointed and tig welded on the rear and neck for added strength and rigidity preventing any distortion of the hairline mitres. On sizes larger than 1 square metre, frames are fully welded. Standard bird screen is 19swg galvanised wire with cell sizes of 12.5 x 12.5mm.

Fixing

Louvre is supplied with no fixing as standard and applied by others.

Finish

Mill finish aluminium is standard, however polyester powder coated louvres can also be provided in standard RAL colours, which will be provided in gloss, unless stated otherwise.



Sizes

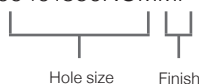
Louvres are available to suit any nominal hole size from 100mm - 2000mm wide and 100mm - 2000mm high.

Independently tested to EN13030 for water penetration.

Example order codes

1. Mill finish louvre to suit nominal hole size 940mm wide x 1350mm high.

EWB509401350NOMMF



2. Polyester powder coated louvre to suit nominal hole size 1050mm wide x 1420mm high. RAL9010.

EWB5010501420NOMRAL9010

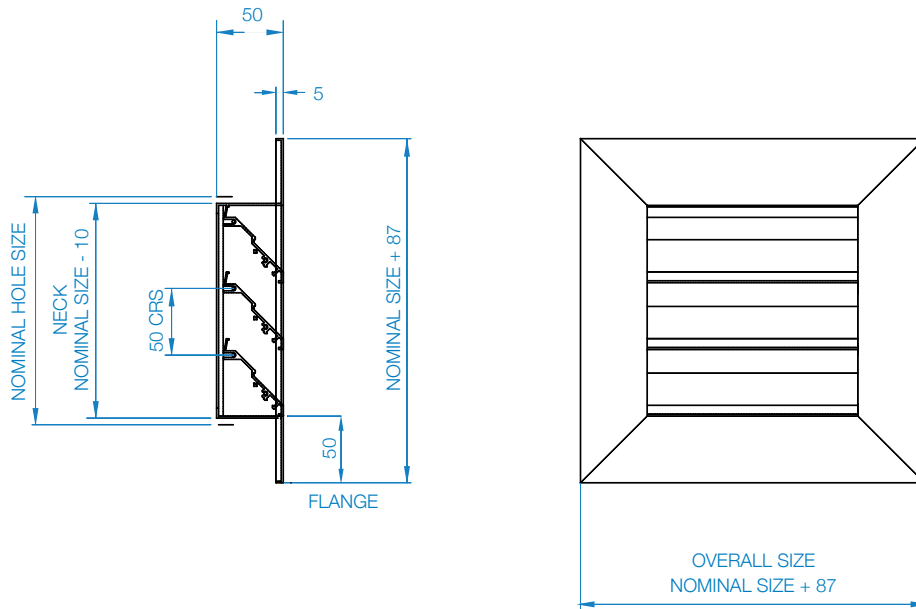


Contents

| Page | Information |
|------|------------------|
| 3 | Dimensional Data |

50MM PITCH WEATHER LOUVRE

Dimensional Data



Dimensions are in mm.

Building Services

Tel **+44 (0) 1384 275800**
Fax **+44 (0) 1384 275810**
Email **info@eltafans.co.uk**

46 Third Avenue, Pensnett Trading Estate, Kingswinford,
West Midlands, DY6 7US United Kingdom

Applied Technology & Building Services Export

Tel **+44 (0) 1489 566500**
Fax **+44 (0) 1489 566555**
Email **at@eltafans.co.uk / export@eltafans.co.uk**

17 Barnes Wallis Road, Segensworth East Industrial Estate,
Fareham, Hampshire, PO15 5ST United Kingdom

eltafans.com

50PWL-03-2018 Issue A



BS EN ISO 9001:2015 FM 556465

