



FAST CLAMPS

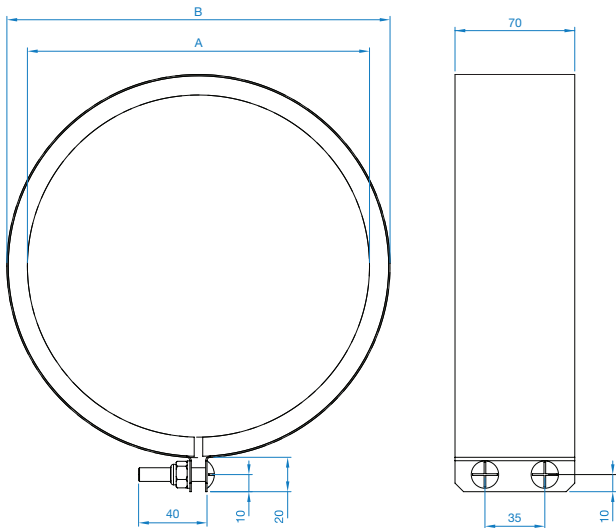
FAST CLAMPS

Overview

- For quick connection of spigotted fans to circular duct or accessories
- Galvanised steel circular duct clamp with foam lining



Product Code	Fan Size	A Dia.	B Dia.	Weight kg
018-100-CLAMP	100	100	124	0.25
018-125-CLAMP	125	125	149	0.29
018-150-CLAMP	150	150	174	0.33
018-160-CLAMP	160	160	184	0.35
018-200-CLAMP	200	200	224	0.42
018-250-CLAMP	250	250	274	0.49
018-315-CLAMP	315	315	339	0.59
018-355-CLAMP	355	355	379	0.67
018-400-CLAMP	400	400	424	0.74
018-450-CLAMP	450	450	474	0.83
018-500-CLAMP	500	500	524	0.87
018-560-CLAMP	560	560	584	1.10
018-630-CLAMP	630	630	654	1.30
018-710-CLAMP	710	710	734	1.50



Dimensions are in mm.

FAST CLAMPS

Notes

Building Services

Tel **+44 (0) 1384 275800**
Fax **+44 (0) 1384 275810**
Email **info@eltafans.co.uk**

46 Third Avenue, Pensnett Trading Estate, Kingswinford,
West Midlands, DY6 7US United Kingdom

Applied Technology & Building Services Export

Tel **+44 (0) 1489 566500**
Fax **+44 (0) 1489 566555**
Email **at@eltafans.co.uk / export@eltafans.co.uk**

17 Barnes Wallis Road, Segensworth East Industrial Estate,
Fareham, Hampshire, PO15 5ST United Kingdom

eltafans.com

018-CLAMP-03-2018 Issue A



BS EN ISO 9001:2015 FM 556465

