



SCH315/4-3 **HERITAGE SCH**

Roof Mounted Vertical
Discharge Centrifugal Fan

HERITAGE SCH

Product Overview



The Heritage SCH range is a range of vertical discharge centrifugal fans designed for use in commercial kitchen exhaust systems and other applications requiring the combination of speed controllable motors with an all metal construction.

Casing

The all metal fan casing provides a long lasting and robust construction.

The casings are manufactured from pre-galvanised sheet steel. The wind band shall incorporate quick-release toggle clamps to provide easy access for cleaning and maintenance.

All SCH units can be mounted at angles up to 30°.

Impeller

Aerodynamically designed backward curved centrifugal impellers constructed in aluminium or galvanised sheet steel. Impellers are balanced to ISO 14694 Grade G6.3.

Motors

Motors shall be external rotor motor, with sealed for life ball bearings. Motors shall be minimum IP44 protected and minimum Class B insulation.

All units are suitable for operating temperatures up to +50°C.

Quality Management

Units are to be designed and manufactured with procedures as defined in BS EN ISO 9001:2008. All SCH units are to be tested to ISO 5801:2007 (airside performance) and BS 848 Part 2:1985 (sound performance).

Typical Applications

- Industrial
- Commercial Kitchens and Catering
- Hospitals
- Bakeries
- Forges and Foundries

HERITAGE SCH



Performance, SFP & Electrical Data

Three Phase 380V to 415V / 50Hz

Product Code	Speed r/min	Airflow	Airflow m ³ /s @ Static Pressure Pa					Motor Electrical Data			dBA @ 3m
			0	50	100	150	200	Input kW	SC Amps	FLC Amps	
SCH315/4-3	1380	m ³ /s	0.34	0.32	0.30	0.26	0.20	0.18	2.2	0.16	47

Data provided is at standard air density of 1.2 kg/m³.

Data in accordance with ErP 1253/2014 of the European Parliament. Product category is NRVU. Measurement category used to determine energy efficiency: C.

A variable speed drive is integrated within the fan.

Peak Amps @ 230V / 1PH / 50Hz.

The overall A-weighted sound pressure level is at a distance of 3m with spherical free-field propagation. It is expressed in dB re-20μPa and is presented for comparative purposes only.

HERITAGE SCH



Sound Data

Three Phase 380V to 415V / 50Hz

Product Code	Sound Power Level dBW @ Octave Band Hz								Total dB
	63Hz	125Hz	250Hz	500Hz	1kHz	2kHz	4kHz	8kHz	
SCH315/4-3	81	77	69	66	58	58	56	50	83

Data provided at standard air density of 1.2 Kg/m³.
Tests and preparation of the sound data have been carried out in accordance with BS 848 Part 2:1985 at 50% peak pressure.
The Sound Power Level Spectra are in dB re-1pW.

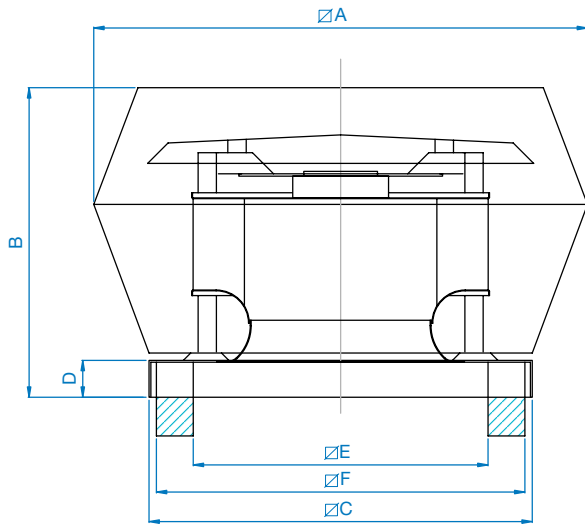
HERITAGE SCH



Dimensional Data

Three Phase

Product Code	A	B	C	D	E	F	Weight kg
SCH315/4-3	520	310	430	50	310	410	16



Dimensions are in mm.

Building Services

Tel **+44 (0) 1384 275800**
Fax **+44 (0) 1384 275810**
Email **info@eltafans.co.uk**

46 Third Avenue, Pensnett Trading Estate, Kingswinford,
West Midlands, DY6 7US United Kingdom

Applied Technology & Building Services Export

Tel **+44 (0) 1489 566500**
Fax **+44 (0) 1489 566555**
Email **at@eltafans.co.uk / export@eltafans.co.uk**

17 Barnes Wallis Road, Segensworth East Industrial Estate,
Fareham, Hampshire, PO15 5ST United Kingdom

eltafans.com

C-SCH315/4-3-08-2019



BS EN ISO 9001:2015 FM 556465

