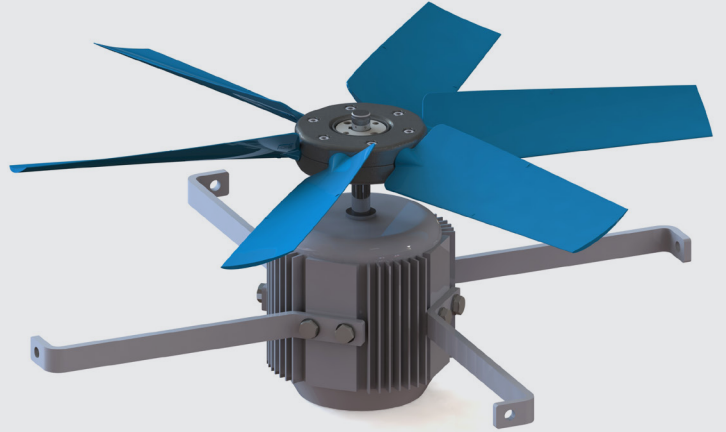


Agri-Max Tube Fan



Designed, built and distributed in the UK, the Agri-Max follows industry-standard chimney sizing to be a direct replacement for your existing fan unit. Based on the proven agricultural Hydor HXP motor and Elta Fans high efficiency impeller, the components have been proven on farm since 2013 with extensive support and next day cost-effective spares availability should the worst happen.

The Agri-Max has been designed based on not only 55 years experience of agricultural ventilation but also, the needs and wants from real customers on farm, seeing how they use our fans everyday.

The result is an honest, hardworking chimney fan constructed from quality components with agriculture in mind from the beginning. We assemble, balance and pack by hand at our UK manufacturing facility to ISO 9000 and ISO 9001 which ensures at every stage, that your fan is built and tested to the highest standards.

Features & Benefits

- Fits standard ventilation chimneys from any manufacturer
- Complete unit and spares available next day from stock for minimum downtime and cost
- 3 Year warranty
- Designed and built for agriculture in Britain. Deployed extensively on farm for real-world usage testing

Agri-Max Chimney Fan

Single Phase

220V to 240V / 50Hz

Model Number	Speed (r/min)	Airflow SFP	Airflow m ³ /s @ Static Pressure (Pa)					At Best Efficiency Point			Peak Amps	dBA @ 3m	
			0	25	50	75	100	Overall Eff%	Input (kW)	FMEG			
HAF63061A	926	m ³ /s	3.244	3.035	2.827	2.585	2.288	39.3	0.664	51	3.70	Inlet	55
		W/(L/s)	0.15	0.17	0.19	0.22	0.26					Outlet	54
HAF71061A	878	m ³ /s	4.017	3.707	3.350	2.899	-	33.7	0.673	46	4.10	Inlet	63
		W/(L/s)	0.16	0.18	0.20	0.24	-					Outlet	62
HAF80061A	914	m ³ /s	5.190	4.864	4.466	3.984	3.300	37.2	0.882	44	4.119	Inlet	59
		W/(L/s)	0.16	0.17	0.20	0.23	0.27					Outlet	58

Peak Amps @ 230V / 1PH / 50Hz.

Data provided is at standard air density of 1.2 kg/m³.

Overall static efficiency, r/min and FMEG values are per ISO 12759. Installation Category A.

All performance and ErP relevant information comprises measurements which are determined using standardised measurements, measured in a full bell mouth.

The overall A-weighted sound pressure level is at a distance of 3m with spherical free-field propagation. It is expressed in dB re-20µPa and is presented for comparative purposes only.

Three Phase

380V to 415V / 50Hz

Model Number	Speed (r/min)	Airflow SFP	Airflow m ³ /s @ Static Pressure (Pa)					At Best Efficiency Point			Peak Amps	dBA @ 3m	
			0	25	50	75	100	Overall Eff%	Input (kW)	FMEG			
HAF63063A	912	m ³ /s	3.202	2.948	2.649	2.265	-	34.6	0.509	48	1.70	Inlet	57
		W/(L/s)	0.16	0.17	0.20	0.23	-					Outlet	56
HAF71063A	894	m ³ /s	4.108	3.806	3.461	3.034	2.427	38.2	0.635	50	1.92	Inlet	63
		W/(L/s)	0.14	0.16	0.19	0.22	0.26					Outlet	62
HAF80063A	896	m ³ /s	5.090	4.749	4.348	3.840	3.080	38.4	0.798	45	1.92	Inlet	58
		W/(L/s)	0.14	0.16	0.19	0.22	0.26					Outlet	57

Peak Amps @ 400V / 3PH / 50Hz.

Data provided is at standard air density of 1.2 kg/m³.

Overall static efficiency, r/min and FMEG values are per ISO 12759. Installation Category A.

All performance and ErP relevant information comprises measurements which are determined using standardised measurements, measured in a full bell mouth.

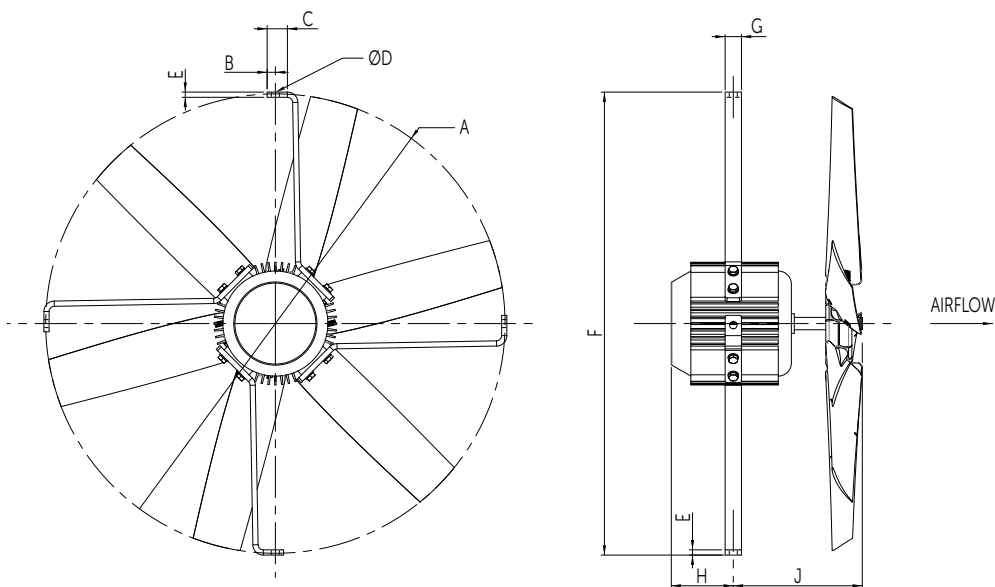
The overall A-weighted sound pressure level is at a distance of 3m with spherical free-field propagation. It is expressed in dB re-20µPa and is presented for comparative purposes only.

Agri-Max Chimney Fan

Dimensions

Model Number	A	B	C	ØD	E	F	G	H	J
HAF630	627	15	31	11.5	6	630	25	95	199
HAF710	704	15	31	11.5	8	709.5	25	95	198
HAF800	794	15	31	11.5	8	799.5	25	95	194

Dimensions in mm.



630mm unit will fit any 630-650mm tube or chimney.

710mm unit will fit any 710-730mm tube or chimney.

800mm unit will fit any 817-840mm tube or chimney.

You may need to use the included mounting hardware if the fan is not compatible with your existing mountings.

ISSUE 2. AUG 2021.